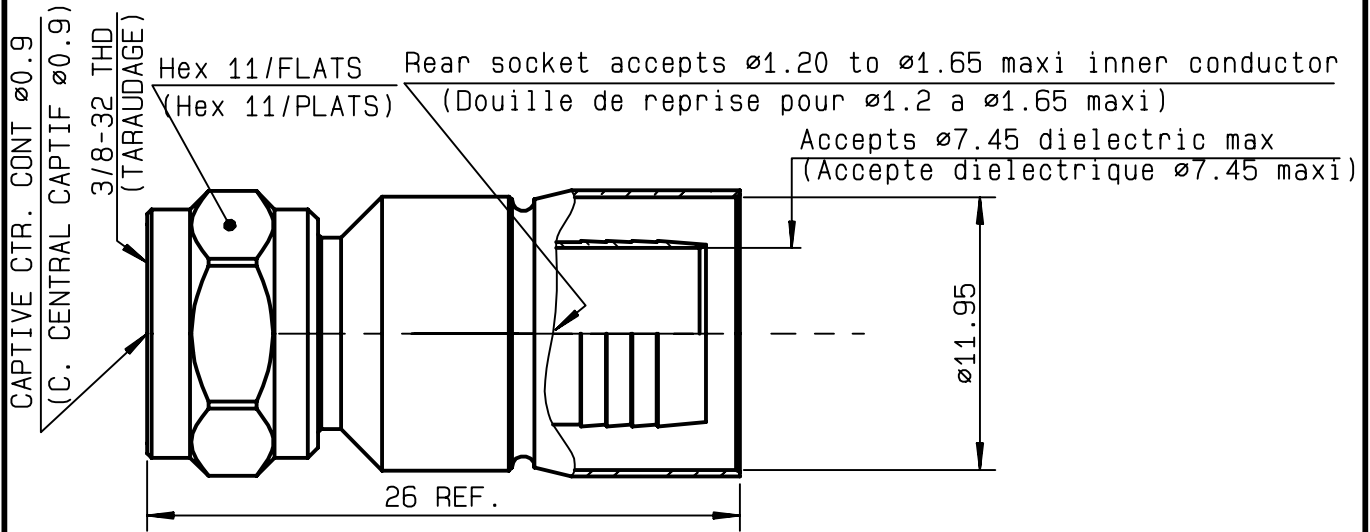


**STRAIGHT PLUG CRIMP TYPE
CABLE 10/75 S**

R139.089.000
SERIES DT-F



NOMINAL IMPEDANCE	75 Ω
FREQUENCY RANGE	0-3 GHz
TEMPERATURE RATING	-40/+80 °C
V.S.W.R	1.02 + .1 x F(GHz)Maxi
RF INSERTION LOSS	0.085 √F(GHz) dB Maxi
VOLTAGE RATING	500 Veff Maxi
DIELECTRIC WITHSTANDING VOLTAGE	1500 Veff Mini
INSULATION RESISTANCE	5000 MΩMini
HERMETIC SEAL	NA Atm.cm ³ /s
LEAKAGE (pressurized only)	NA
MECHANICAL DURABILITY	500 Cycles
WEIGHT	10.5 gr
SPECIFICATION	

CABLES : BELN 9064
OTHERS CHARACTERISTICS
CABLE RETENTION 100 N Mini
CENTER CONTACT RETENTION
Axial force - mating end 15 N Mini
Axial force - opposite end 15 N Mini
Torque NA cm.N Mini
RECOMMENDED TORQUES
Mating 60 cm.N
Panel nut NA cm.N
Clamp nut NA cm.N

CONNECTOR PARTS	MATERIALS	FINISH	(all values are given in micrometers)
BODY	BRASS	BBR 2	
OUTER CONTACT			
CENTER CONTACT	BERYLLIUM COPPER, BRASS	GOLD 0.75 OVER NICKEL 2 + SILVER 3	
INSULATOR	PTFE	-	
GASKET		-	
OTHERS PIECES	BRASS	BBR 2	

ISSUE	CREATION DATE	FILE PART-NUMBER
0237B00	21/08/1997	EPC 97-01



BAFFERT

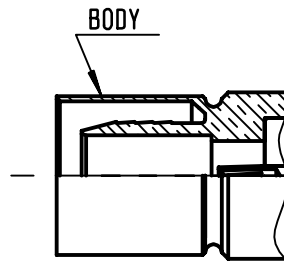
The information given here is subject to change without notice.
Design changes may be in order to improve the product .

Connect to the future



R139.089.000

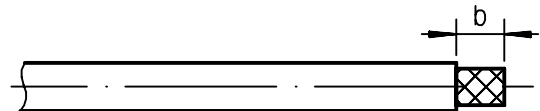
ISSUE **0237B00** SERIES **DT-F**



①

Strip the cable .

-
-
-
-

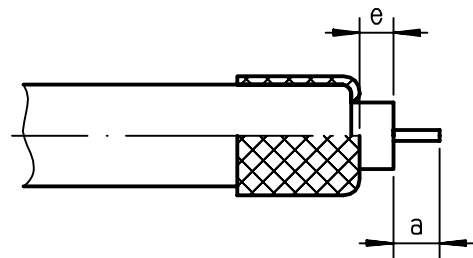


Stripping	a	b	c	d	e
inch	0.197	0.315	0	0	0.118
mm	5	8			3

②

Fold braid back .
Strip the inner conductor .

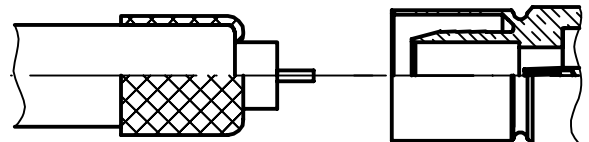
-
-



③

Slide the cable into the body
and push until it stops .

-
-



④

Crimp the body with crimping tool
R 282 293 000 (M22520/5-01)
+ dies R282 235 021 (M22520/5-21)
(Hex. : 12.06)

